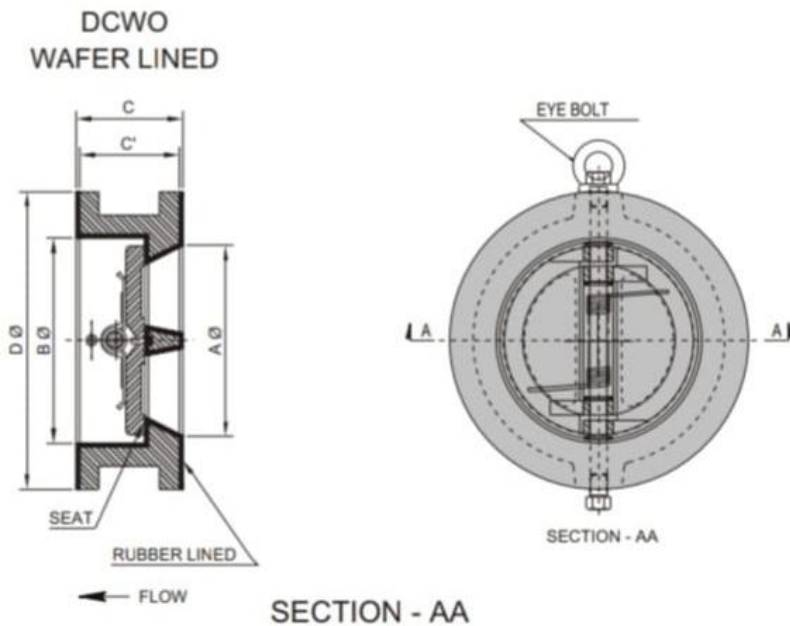


DUAL PLATE CHECK VALVE

Feature : Rubber lined

Size : 2" – 24"

Rating : ANSI #125



INSTALLATION DIMENSIONS

Size : 2" – 24"	Rating : ANSI # 125				Flange: ANSI B 16.5		
SIZE Inches (DN)	AØ	BØ	C	C'	DØ	End Facing	Approx weight in Kg. Wafer
2" (50)	50	60	60	54	105	SF	3
2.5" (65)	65	75	66	60	124	SF	5
3" (80)	76	90	73	67	134	SF	7
4" (100)	100	114	73	67	172	SF	9
5" (125)	125	135	89	83	196	SF	14
6" (150)	150	168	101	95	222	SF	16
8" (200)	200	215	133	127	279	SF	26
10" (250)	250	265	146	140	340	SF	48
12" (300)	300	315	187	181	409	SF	78
14" (350)	350	365	190	184	450	SF	90
16" (400)	400	418	197	191	514	SF	100
18" (450)	450	470	209	203	549	SF	140
20" (500)	500	520	219	213	603	SF	180
24" (600)	600	620	228	222	718	SF	210

(All dimensions are in mm)

NOTE: Due to continuous improvements, dimensions are subject to change. Please confirm the dimensions while placing orders.