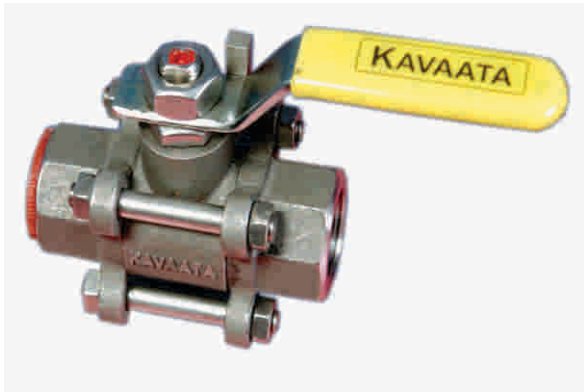
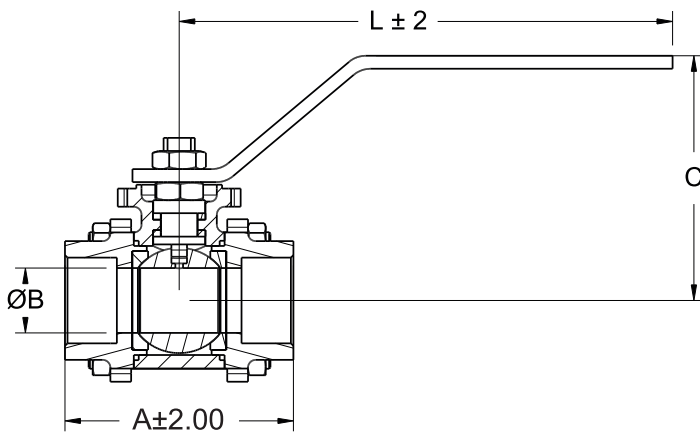


Screwed End 3 Piece Ball Valve



Kavaata Screwed End Investment Cast Ball Valves are designed and manufactured as per **BS5351/ISO17292** or **API 6D** standards. The material of construction generally offered are **ASTM A216 Gr WCB (CS)**, **ASTM A351 Gr CF8 (SS304)** and **ASTM A351 Gr CF8M (SS316)**.

Technical Specifications



Section A-A

SIZE	A	B	C	L
15 FB	75	13	51	85
20 FB	81	19	56	85
25 FB	88	25	98	190
40 FB	120	38	119	250
50 FB	128	50	127	250

All dimensions are in mm

| Due to continuous improvements, dimensions are subject to change

Technical Data

PART NAME	MATERIAL
Body / Adapters	ASTM A216 Gr WCB ASTM A351 Gr CF8 ASTM A351 Gr CF8M
Ball	SS304/SS316/SS 410/CF8/CF8M
Stem	SS304 / SS316
Nuts	SS304
Fasteners	CS / SS304
Seat	PTFE / GFT
Seal	PTFE

VALVE STANDARDS

Pressure Rating ASA 150#/300#/ 600#
Design Standard BS5351/ISO17292

Testing Standard BS 6755/API 598
End Connection BSP, NPT, Socket Weld