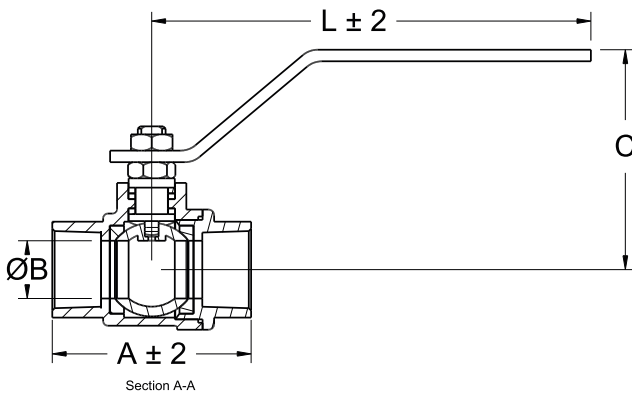


# Screwed End 2 Piece Ball Valve



The screwed end two piece design Ball Valves are economical as the design is simpler with less number of body joints. However, there is no compromise on quality- be it in material selection or workmanship. All the sizes are Full Bore. 1/2" Ball Valve is available in **reduced bore** also.

## Technical Specifications



SIZE	A	ØB	C	L
15FB	68	13	50	90
20FB	76	19	55	90
25FB	85	25	95	195
40FB	114	38	108	250
50FB	124	50	112	250

All dimensions are in mm

| Due to continuous improvements, dimensions are subject to change

## Technical Data

PART NAME	MATERIAL
Body / Adapter	ASTM A 216 Gr. WCB ASTM A351 Gr. CF8 ASTM A351 Gr. CF8M
Ball	SS304/ SS 316/ CF8/ CF8M/SS410
Stem	SS304/ SS316
Seat	PTFE / RPTFE
Seals	PTFE
Gland	SS304
Lever	CS



## VALVE STANDARDS

Pressure Rating ASA 150#/300#  
Design Standard BS5351/ISO17292

Testing Standard BS 6755/API 598  
Screwed Ends BSP, NPT