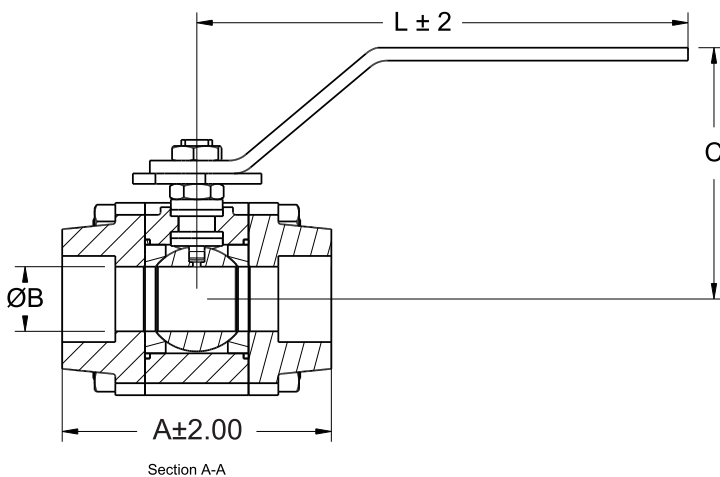


Forged Steel Ball Valve



The Forged Steel Ball Valves are rugged in construction and are designed as per **BS 5351 (ISO 17292)** standards. The material of construction offered is **ASTM A105** Forged Steel. The trims can be supplied in **SS304** or in **SS316**.

Technical Specifications



Dimensions for Class 800#

SIZE	A	B	C	L
15 RB	69	10	45	90
20 RB	72	13	76	170
25 RB	91	20	84	170
40 RB	118.50	32	102.50	198
50 RB	127	38.10	107	198

All dimensions are in mm

| Due to continuous improvements, dimensions are subject to change

Technical Data

PART NAME	MATERIAL
Body/ Adapter	ASTM A-105
Ball	SS304 / CF8
Stem	SS304
Nuts	CS
Bolt	CS/ASTM B7
Nuts	CS/ ASTM 2H
Seat /Stem Seal	PTFE/GFT
Seal	GFT
Lever, Locker	CS

VALVE STANDARDS

Pressure Rating 800#
Design Standard BS 5351/ISO17292

Testing Standard BS 6755/API 598
End Connection BSP, BSPT, NPT (F), Socket Weld