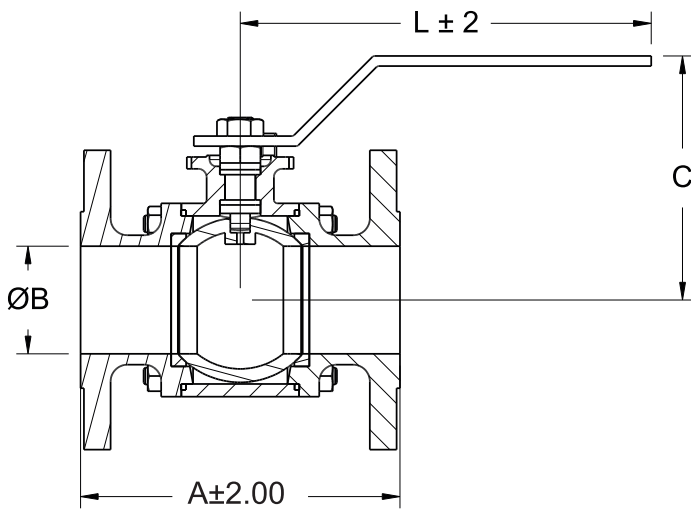


Flanged End 3 Piece Ball Valve



Kavaata Flanged End Ball Valves are made from Investment Castings, designed & manufactured as per **ISO 17292 / API6D** standards. The material of construction generally offered are **ASTM A216 Gr WCB (CS)**, **ASTM A351 Gr CF8 (SS304)** & **ASTM A351 Gr CF8M (SS316)**.

Technical Specifications



Dimensions for Class 150#

SIZE	A	B	C	L
15 FB	108	13	80	170
20 FB	118	20	81	170
25 FB	127	25	98	190
40 FB	165	38	121	250
50 FB	178	50	132	250
80 FB	203	75	166	300
100 FB	229	100	190	400
150FB	267	150	*	*
200FB	457	200	*	*

All dimensions are in mm

| Due to continuous improvements, dimensions are subject to change
| *Actuator Mounted | Contact for other classes

Technical Data



PART NAME	MATERIAL
Body/ Adapters	ASTM A216 Gr WCB ASTM A351 Gr CF8 ASTM A351 Gr CF8M
Ball	SS304/SS316/SS410
Stem	SS304/SS316
Nuts	SS304
Studs	CS or SS304
Nuts	CS or SS304
Seat	PTFE / GFT
Seal	CFT

VALVE STANDARDS

Pressure Rating	ASA 150#/300#/600#
Design	BS5351/ISO17292
Face to Face	ASME B 16.10

Flange Dimension	ASME B 16.5
Test Pressure	BS 6755/API 598