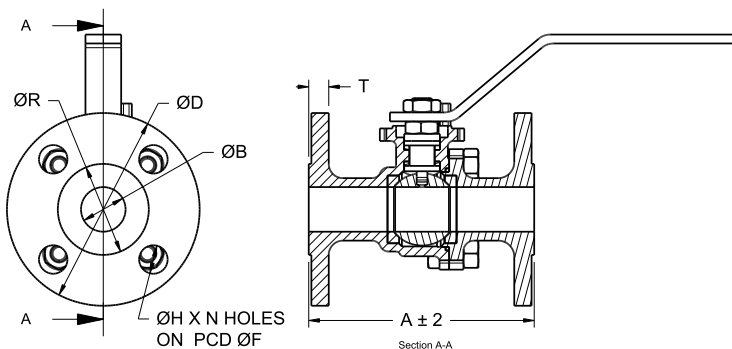


Flanged End 2 Piece Ball Valve



Flanged End two piece design Ball Valve are economical & less prone to leakages & are by far most commonly used Ball Valves in the industry. These Ball Valves are available in **ASA Class 150#** & are tested as per **Fire safe test** standards such as **API 607 VI** edition / **ISO 10497:2010**.

Technical Specifications



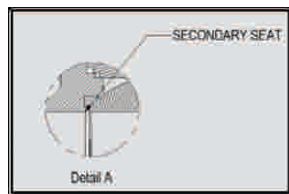
Dimensions for Class 150#

| SIZE | A | ØB | ØD | ØR | ØF | ØH X N | T |
|-------|-----|-----|-----|-----|-------|---------|------|
| 15FB | 108 | 13 | 90 | 35 | 60.3 | 16x4 | 10 |
| 20FB | 117 | 19 | 100 | 43 | 69.9 | 16X4 | 11 |
| 25FB | 127 | 25 | 108 | 51 | 79.4 | 16X4 | 11.2 |
| 40FB | 165 | 38 | 127 | 73 | 98.4 | 16X4 | 14.7 |
| 50FB | 178 | 50 | 150 | 92 | 120.7 | 19X4 | 16 |
| 80FB | 203 | 75 | 190 | 127 | 152.4 | 19X4 | 19 |
| 100FB | 229 | 100 | 229 | 157 | 190.5 | 19X8 | 24 |
| 150FB | 267 | 150 | 280 | 216 | 241.3 | 22.22X8 | 25.4 |

All dimensions are in mm

| Due to continuous improvements, dimensions are subject to change

Technical Data



| PART NAME | MATERIAL |
|---------------|--|
| Body/ Adapter | ASTM A 216 Gr. WCB ASTM A351 Gr.CF8 ASTM A351 Gr. CF8M |
| Ball | SS304/ SS 316/ CF8/ CF8M |
| Stem | SS304/ SS316 |
| Seat | PTFE / RPTFE |
| Seals | PTFE |
| Lever | CS |

VALVE STANDARDS

| | |
|-----------------|-----------------|
| Pressure Rating | ASA 150# |
| Design | BS5351/ISO17292 |
| Face to Face | ASME B 16.10 |

| | |
|------------------|-----------------|
| Flange Dimension | ASME B 16.5 |
| Test Pressure | BS 6755/API 598 |