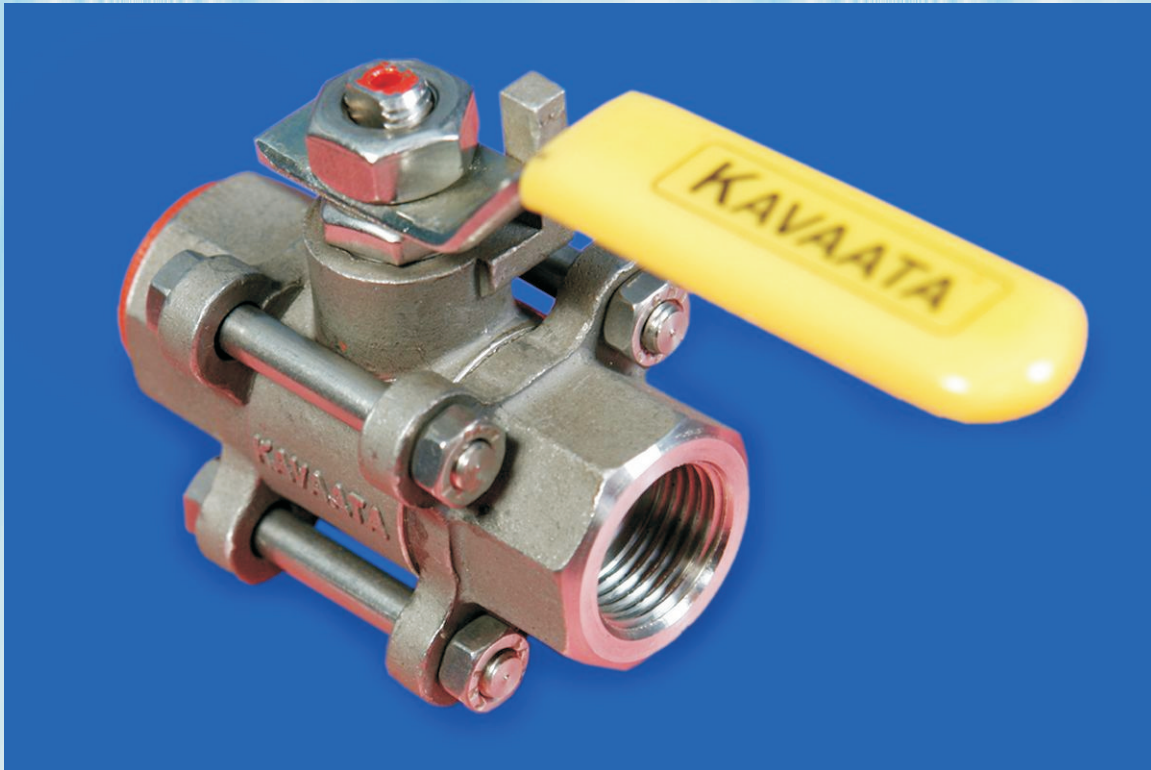


# KAVAATA

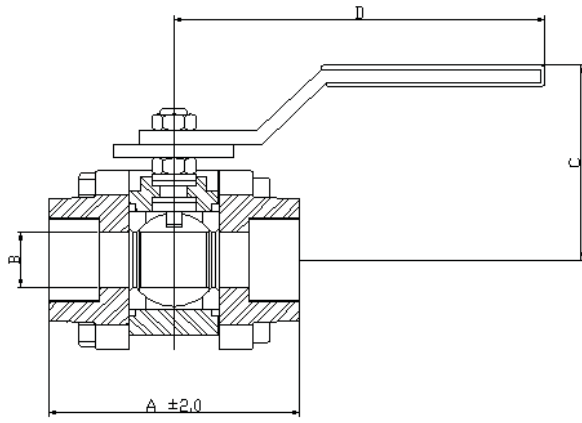


# VALVES

## FULL BORE SCREWED END



- » INVESTMENT CAST BODY AND ADAPTERS
- » 100% FACTORY TESTED
- » LONG SERVICE LIFE
- » SPARES EASILY AVAILABLE AND INTERCHANGEABLE
- » DESIGN CONFORMING TO BS5351 STANDARDS
- » LOW TORQUE DESIGN
- » POSITIVE MATERIAL IDENTIFICATION
- » FULL BORE



SIZE	15FB	20FB	25FB	40FB	50FB
A	72.0	81.0	92.0	118.5	127.0
B	12.5	19.0	25.0	38.0	50.0
C	51.0	56.0	98.0	119.0	127.0
D	85.0	85.0	190.0	250.0	250.0

TEST PRESSURE	Hydrostatic	Pneumatic
SHELL	32 BAR	80 psi
SEAT	22 BAR	80 psi

PART NAME	MATERIAL		
Body	ASTM A216 Gr WCB	ASTM A351 Gr CF 8	ASTM A351 Gr CF8M
Adapters			
Ball	SS 304/ SS 316/ SS 410		
Stem	SS 304/ SS 316		
Nuts	SS 304		
Fasteners	CS/ SS 304		
Seat	PTFE/ GFT		
Seal	PTFE		

VALVE STANDARDS	
Pressure Rating	ASA 150#
Design Standard	BS 5351
Testing Standard	BS 6755
Screwed Ends	BSP, NPT



## FEATURES OF KAVAATA BALL VALVE PARTS

- BALLS HAVE SURFACE FINISH HIGHER THAN 0.1 $\mu$
- BALL SPHERICALNESS WITHIN 0.02mm
- CNC TURNED BODY, BALL, STEM AND GLAND
- PRECISION INVESTMENT CAST BODY
- 100% THREAD GAUGE SUITING
- CNC TURNED PTFE SEATS

All the features of Kavaata Ball Valve Parts, mentioned above, contribute to:

**Higher Seat Life**

**Bubble Tight Shut Off**

**Low Torque**

Note: Due to continuous improvements, the specifications are subject to change without notice

Manufactured by:

**RAJEEV & COMPANY**

(An ISO 9001-2000 Company)

423, Nazar Camp, Cross 3, Main Road, Vadgaon, Belgaum - 590 005, INDIA

Ph:++91-831-2482327, 2484635, FAX: 0831-2481752

Email: sales@kavaatavalves.com

website: www.kavaatavalves.com

DEALER:

