

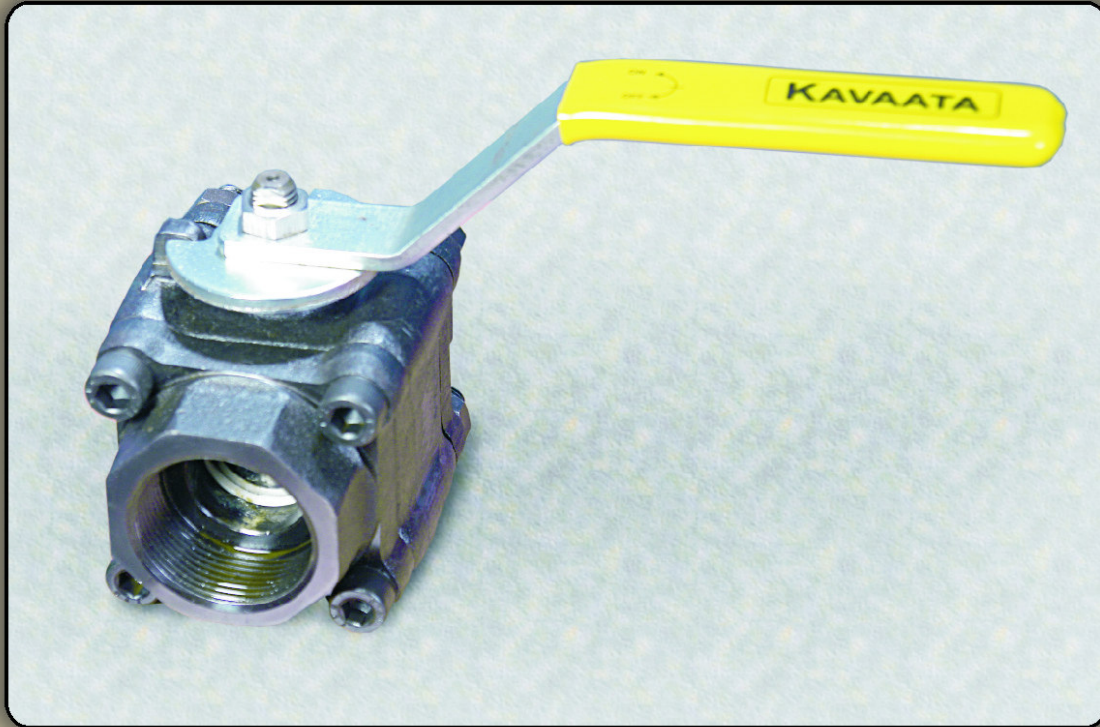
KAVAATA



VALVES



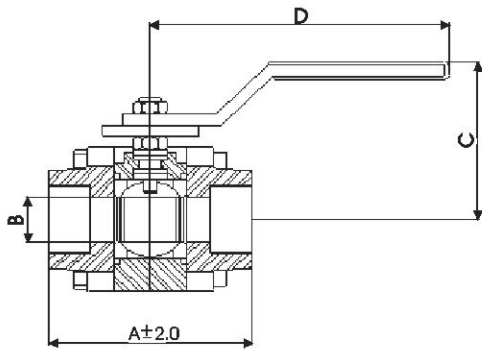
FORGED SCREWED



- ✓ MOST ECONOMICAL VALVE IN ITS CLASS
- ✓ RUGGED CONSTRUCTION
- ✓ HIGHLY DURABLE
- ✓ SPARES EASILY AVAILABLE AND INTERCHANGEABLE
- ✓ DESIGN CONFORMS TO BS5351 STANDARDS
- ✓ EASY TO OPERATE
- ✓ EASY TO MOUNT

KAVAATA VALVES

... from excellence to perfection



SIZE	15FB	20RB	25RB	40RB	50RB
A	72.00	72.00	91.00	118.50	127.00
B	13.00	13.00	20.00	32.00	38.10
C	76.00	76.00	84.00	102.50	107.00
D	170.00	170.00	170.00	198.00	198.00

All Dimensions in mm

Test Pressure	Hydrostatic	Pneumatic
SHELL	77 kg/sq.cm	-----
SEAT	20 kg/sq.cm	80 PSI

Part Name	Material
Body	ASTM A-105
Adapter	ASTM A-105
Ball	SS316 / CF8M
Stem	SS316
Nut	SS304
Bolt	CS/ASTM B7
Nut	CS/ASTM 2H
Seat	PTFE / GFT
Seal	GFT
Stem Seat	PTFE / GFT
Lever, Locker	CS

Valve Standards	
Pressure Rating	800#
Design	BS5351
Testing Standard	BS6755
Screwed Ends	BSP, BSPT or NPT Female Thread



FEATURES OF KAVAATA BALL VALVES BALLS

- ✓ SURFACE FINISH HIGHER THAN 0.1μ
- ✓ SPHERICALNESS WITHIN 0.02mm
- ✓ SLOT CENTRE WITHIN 0.05mm
- ✓ END RADIUS MADE ON CNC
- ✓ SLOT WIDTH WITHIN 0.05mm
- ✓ BALL SIZE WITHIN 0.05mm

All the features of balls mentioned above contribute to the key attributes of Kavaata Ball Valves viz :

- Higher Seat Life
- Bubble Tight Shut Off
- Low Torque

Note : Due to continuous improvements, the specifications are subject to change without notice.

Manufactured by :

RAJEEV AND COMPANY



(ISO 9001-2000 Company)

423, Nazar Camp Cross 3, Main Road, Vadgaon, Belgaum-590 005.

Ph : 0831-2482327, 2484635 Fax : 0831-2481752

Email : sales@kavaatavalves.com

website : www.kavaatavalves.com

DEALER :