



Single Piece Stainless Steel High Pressure Ball Valve

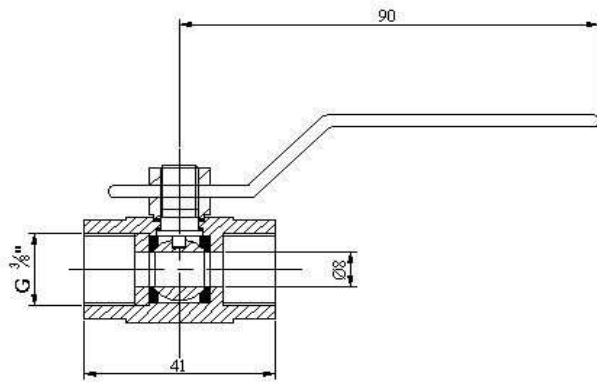
The Ball Valves are made of single piece bar stock. The body does not have any joints and hence the valves do not leak even at high pressures.

Features

Balls have surface finish higher than 0.1 m
 Ball sphericalness within 20 microns
 CNC turned body, ball and stem
 100% thread gauge suiting

Technical Details

Material of Construction	SS304
Internals	SS304
Ends	Threaded - BSP
Size	3/8"
Bore	Reduced
Seats	GFT
Handle	Zinc Plated CS



<u>Testing</u>	Hydrostatic	Pneumatic
Shell	220 bar	
Seat	100 bar	8 bar

Manufactured By -

Rajeev and Company

Office :

423, Nazar Camp Cr 3, Main Road,
 Vadgaon, Belgaum - 590005

Karnataka

Phone : 0831-2482327 / 2484635

Mob : 09243222573 / 09243220173

Factory :

103/3, Dewarwadi Village,
 Chandgad Taluk, Kolhapur Dist
 Maharashtra - 416507