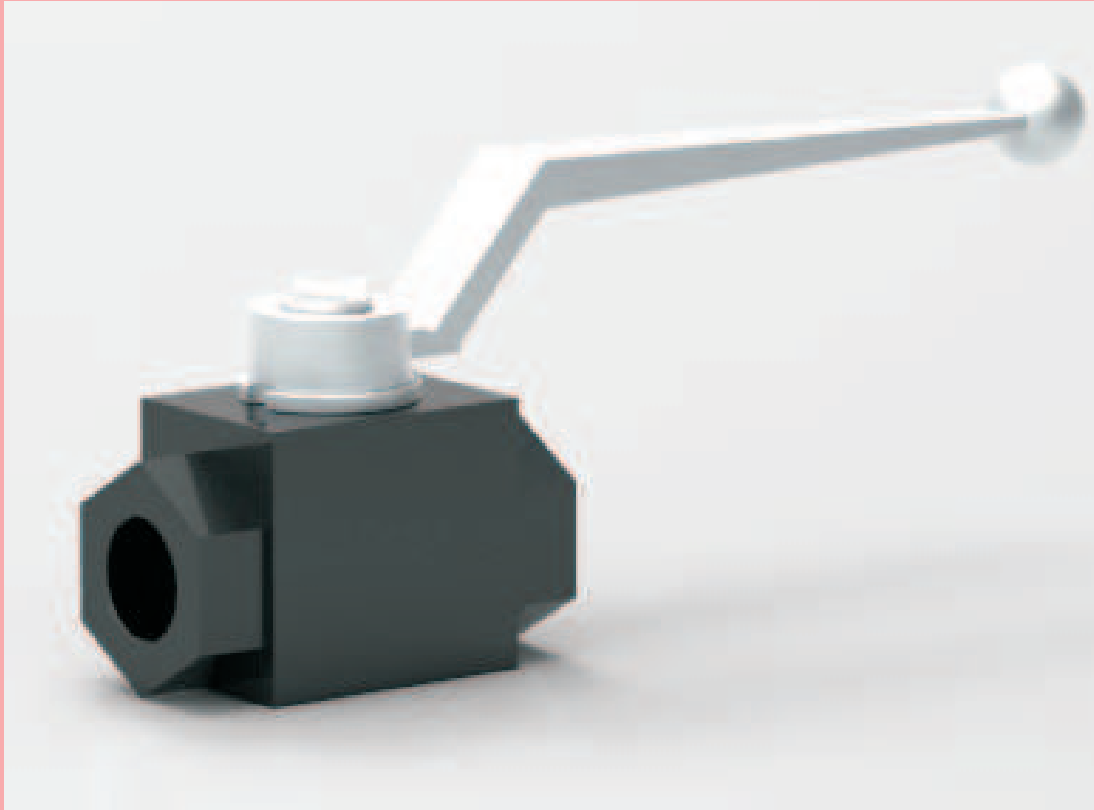


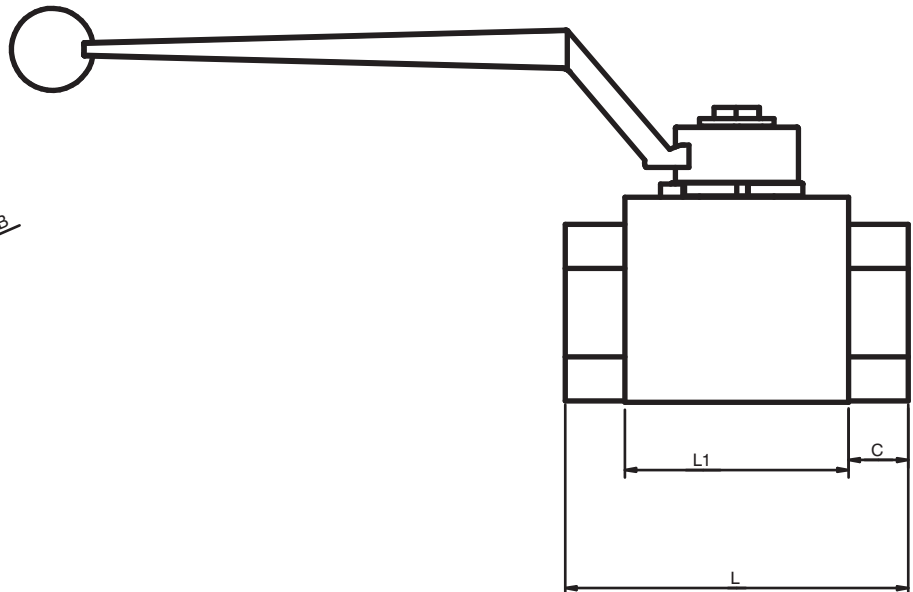
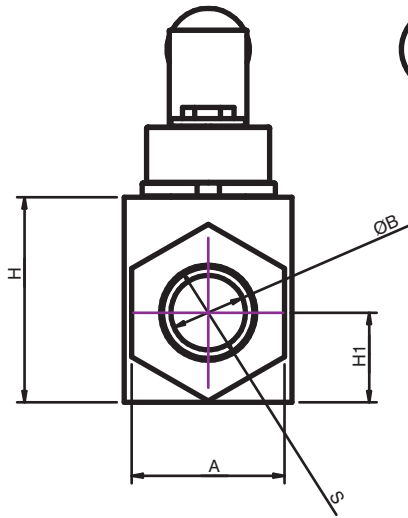


HIGH PRESSURE BALL VALVE



- » HIGH INTEGRITY BAR STOCK BODY
- » 100% FACTORY TESTED
- » LONG SERVICE LIFE
- » SPARES EASILY AVAILABLE AND INTERCHANGEABLE
- » LOW TORQUE DESIGN
- » POSITIVE MATERIAL IDENTIFICATION





ALL DIMENSIONS ARE IN mm

SIZE (S)	A	B	C	H	H1	L	L1	MAX WORKING PRESSURE
G1/2	30	12	15	40	17	82	51	500 bar
G3/4	41	19	16	55	24	92	60	320 bar
G1	50	24	22.5	60	25.5	115	70	320 bar
G1 1/2	75	38	20	94	47	130	91	320 bar

Item Number	Part Name	Material
1	Body	MS
2	Adapter	MS
3	Ball	SS410 chrome plated
4	Seat	POM
5	Stem	MS ZINC PLATED
6	Bolt	MS
7	Locker plate	MS ZINC PLATED
8	Washer	MS
9	Body Seal	Buna-N
10	Stem seal	Buna-N
11	Stem seat	POM
12	Handle	CS



FEATURES OF KAVAATA BALL VALVE PARTS

- BALLS HAVE SURFACE FINISH HIGHER THAN 0.1μ
- BALL SPHERICALNESS WITHIN 0.02mm
- CNC TURNED BODY, BALL, STEM AND GLAND
- 100% THREAD GAUGE SUITING
- CNC TURNED SEATS

All the features of Kavaata Ball Valve Parts, mentioned above, contribute to:

- Higher Seat Life**
- Bubble Tight Shut Off**
- Low Torque**

Note: Due to continuous improvements, the specifications are subject to change without notice

Manufactured by:

RAJEEV & COMPANY

(An ISO 9001-2000 Company)

423, Nazar Camp, Cross 3, Main Road, Vadgaon, Belgaum - 590 005, INDIA

Ph:++91-831-2482327, 2484635, FAX: 0831-2481752

Email: sales@kavaatavalves.com

website: www.kavaatavalves.com

DEALER: